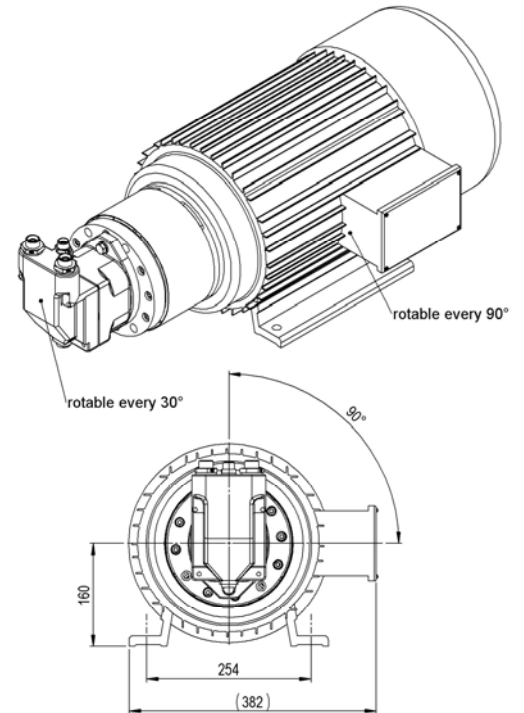
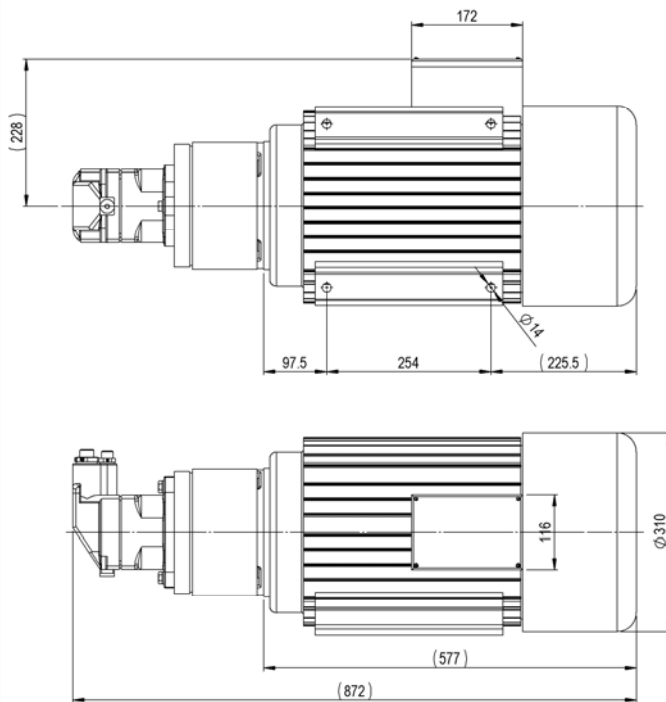


**DYNAGEN** 20kVA IP 54 hydraulic generator is a compact generator designed for mobile installation. The generator transforms hydraulic power into a high quality electricity, which is to be used for electrical tools and other equipment.

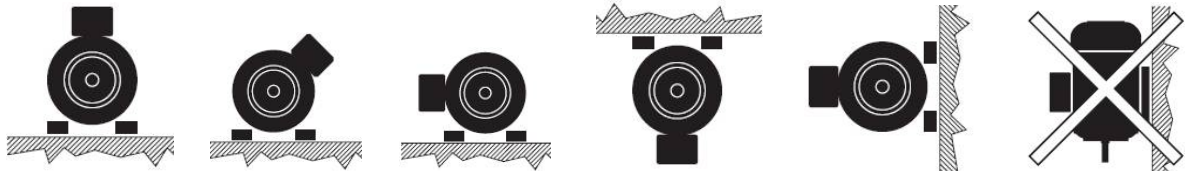
## TECHNICAL DATA

<u>Model</u>	<b>DY1015</b>
<u>Power:</u>	20000 Watt
<u>Voltage:</u>	230V - 400V AC
<u>Frequency:</u>	50 Hz
<u>RPM:</u>	3000
<u>Protection:</u>	IP 54
<u>Style of construction:</u>	2-pole, synchronous generator
<u>bearing:</u>	double bearing
<u>Voltage control:</u>	elektronic regulator incorporated
<u>Hydraulicmotor:</u>	Piston motor with built in free ciruculation valve
<u>Flow min.Q:</u>	63 l/min
<u>Pressure</u>	290 bar
<u>Dimensions:</u>	872 x 382 x 310 mm
<u>Weight:</u>	140 kg
<u>Oil cooler:</u>	min. 8 kW (recommended)

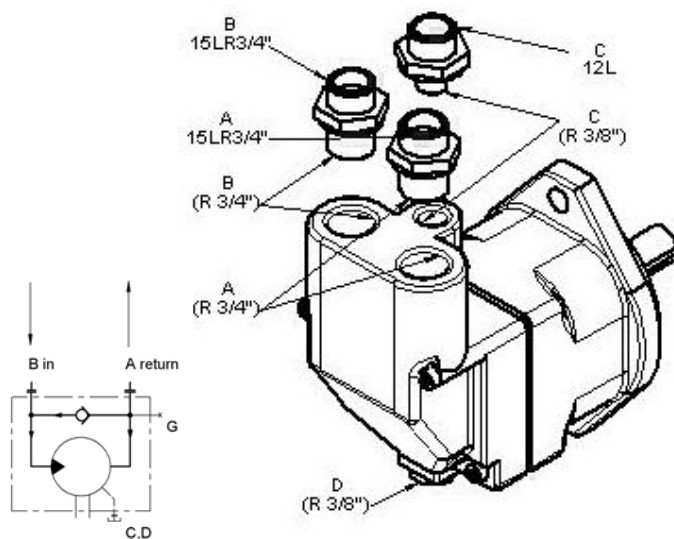
## Dimensions



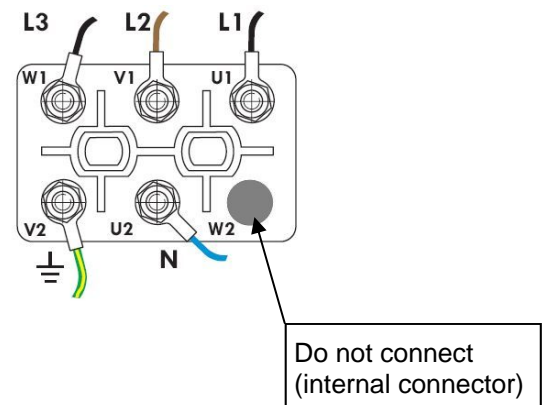
## Installation position



## Hydraulic connection



## Electrical connection



NB 09.06.11