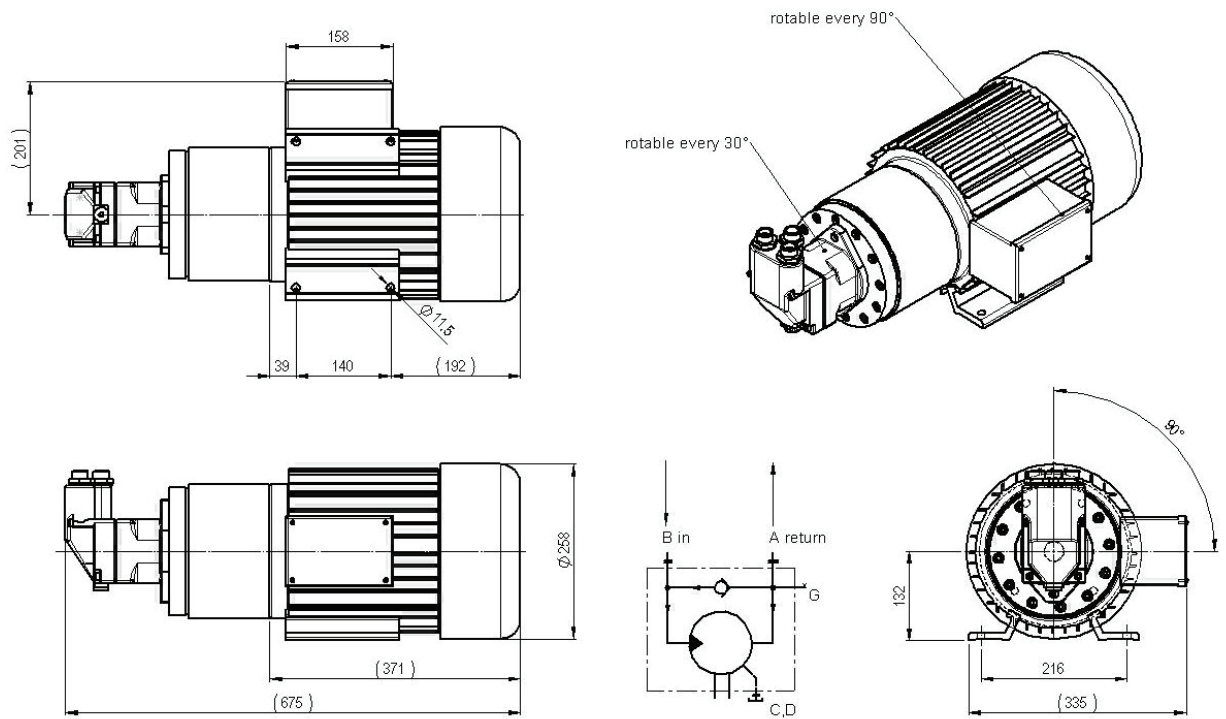


DYNAGEN 9kVA IP 54 hydraulic generator is a compact generator designed for mobile installation. The generator transforms hydraulic power into a high quality electricity, which is to be used for electrical tools and other equipment.

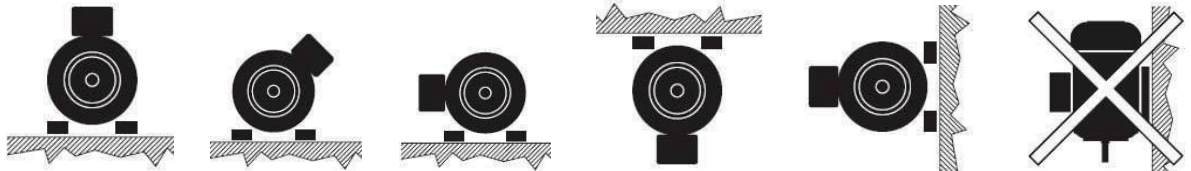
TECHNICAL DATA

<u>Model</u>	DY1023
<u>Power:</u>	9000 Watt
<u>Voltage:</u>	230V - 400V AC
<u>Frequency:</u>	50 Hz
<u>RPM:</u>	3000
<u>Protection:</u>	IP 54
<u>Style of construction:</u>	2-pole, synchronous generator
<u>bearing:</u>	double bearing
<u>Voltage control:</u>	elektronic regulator incorporated
<u>Hydraulicmotor:</u>	Piston motor with built in free ciruculation valve
<u>Flow min.Q:</u>	31 l/min
<u>Pressure</u>	190 bar
<u>Dimensions:</u>	675 x 335 x 260 mm
<u>Weight:</u>	68 kg
<u>Oil cooler:</u>	2 kW (recommended)

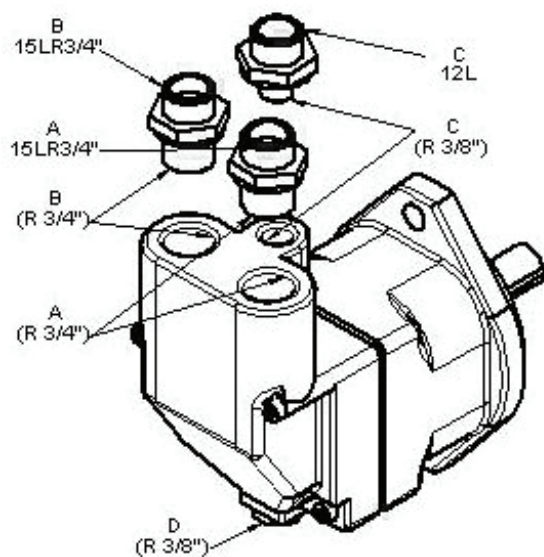
Dimensions



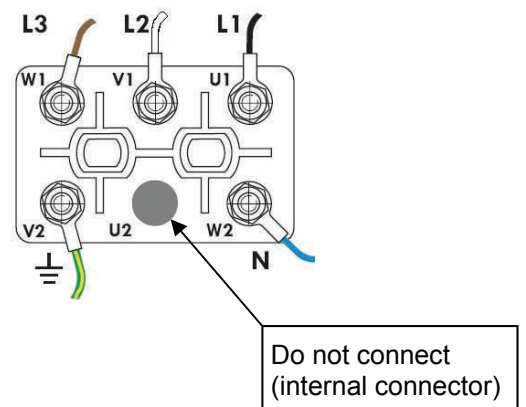
Installation position



Hydraulic connection



Electrical connection



PL 25.02.09