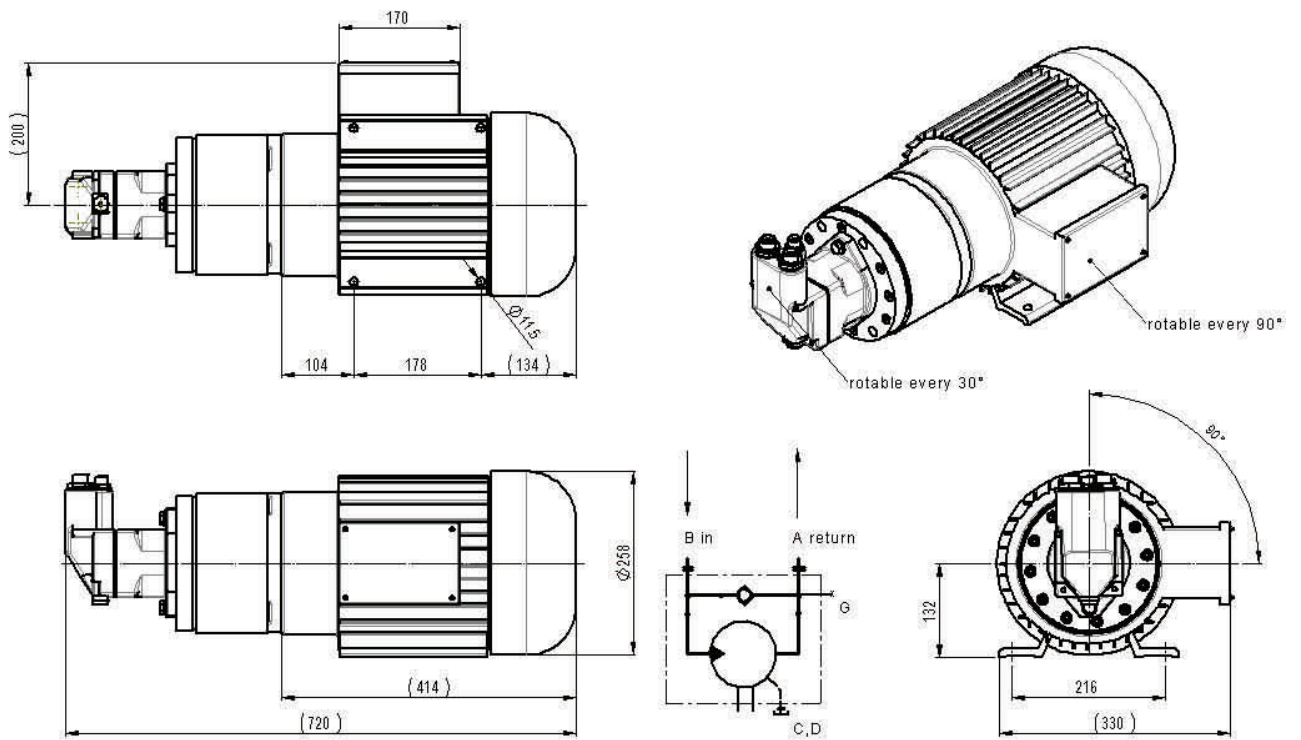


DYNAGEN 12kVA IP 54 hydraulic generator is a compact generator designed for mobile installation. The generator transforms hydraulic power into a high quality electricity, which is to be used for electrical tools and other equipment.

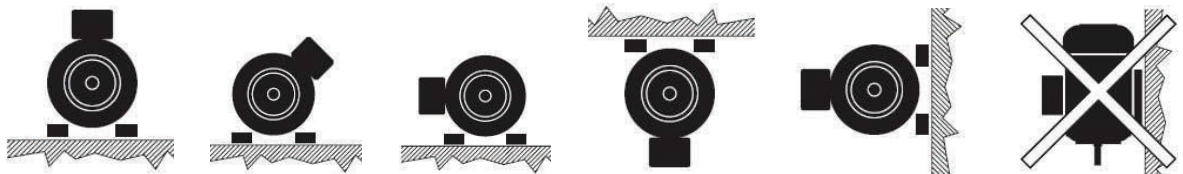
TECHNICAL DATA

Model	DY1024
Power:	12000 Watt
Voltage:	230V - 400V AC
Frequency:	50 Hz
RPM:	3000
Protection:	IP 54
Style of construction:	2-pole, synchronous generator
bearing:	double bearing
Voltage control:	elektronic regulator incorporated
Hydraulicmotor:	Piston motor with built in free circulation valve
Flow min.Q:	37 l/min
Pressure	260 bar
Dimensions:	755 x 335 x 260 mm
Weight:	80 kg
Oil cooler:	4 kW (recommended)

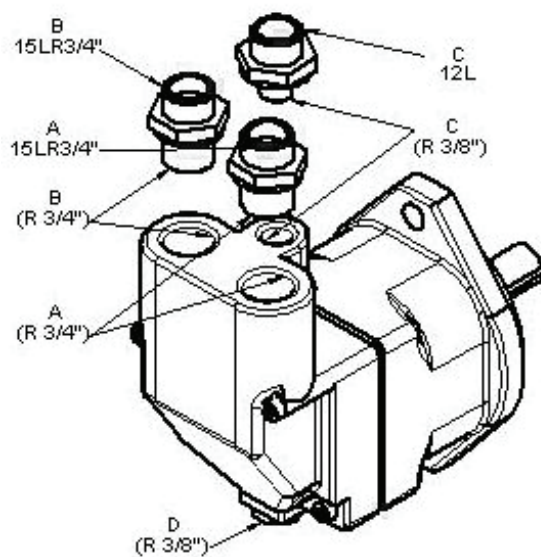
Dimensions



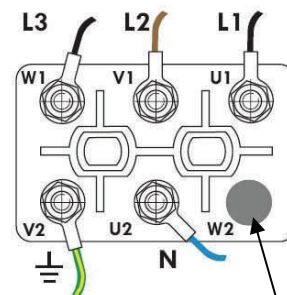
Installation position



Hydraulic connection



Electrical connection



Do not connect
(internal connector)

NB 05.04.11